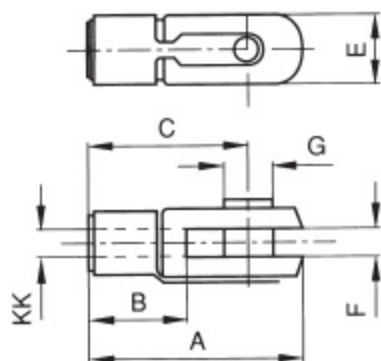


**MATERIALE: ACCIAIO**  
**MATERIAL: STEEL**



**FC**

**FORCELLA CON CLIPS IN ACCIAIO ZINCATO - YOKE WITH LOCABLE PIN**

Codice / Code	Ø mm.	A	B	C	E	F	G	KK
<b>FC025</b>	<b>25 - 32</b>	52	20	40	20	10	10	M10x1.25
<b>FC040</b>	<b>40</b>	62	24	48	24	12	12	M12x1.25
<b>FC050</b>	<b>50 - 63</b>	83	32	64	32	16	16	M16x1.5
<b>FC080</b>	<b>80 - 100</b>	105	40	80	40	20	20	M20x1.5
<b>FC125</b>	<b>*125</b>	148	56	110	55	30	30	M27x2
<b>FC160</b>	<b>160 - 200</b>	188	72	144	70	35	35	M36x2
<b>FC250</b>	<b>250</b>	232	84	168	85	42	42	M42x2
<b>FC320</b>	<b>320</b>	265	96	192	96	50	50	M48x2

\* Con perno e seeger - With pin and seeger